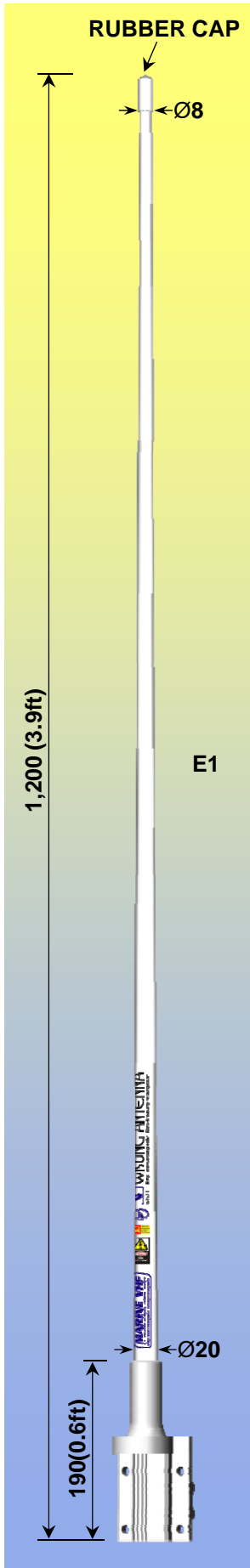




WISUNG V20MFM-12M Multi Purpose for The Marine 156.8MHz VHF Band Antenna



Description

- ▷ V20MFM-12M is an efficient active hi epoxy fiberglass completely encloses the carefully and aluminum armature for the DC short antenna multi purpose mounting the coaxial cable designed radiating element to assure long dependable service in all climates.
Marine VHF high quality $1/2 \lambda$ dipole antenna RX-frequency 137~177MHz covered eight models designed for the mobile marine TX-frequency 153.8~159.8MHz band radio telephone with passenger plane and defense ship yacht ship services and may be installed on all kinds of vessels.
- ▷ V20MFM-12M has a shipshape SWR on the RX-Frequencies (SWR 2.5), which is just as important as it is for the TX-Frequencies (SWR 1.5).
Furthermore, the antenna is a grounded radiator antenna and therefore it shows a DC-short across the coaxial cable.

Electrical specifications

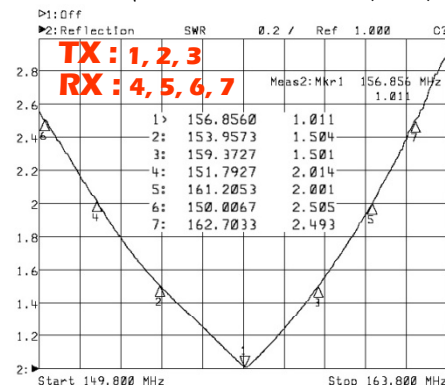
Model	V20MFM-12M
Frequency range	TX : 153.8MHz~159.8MHz < SWR < 1.5 RX : 150.0MHz~162.7MHz < SWR < 2.5
Center frequency	156.8MHz <-46.9dB>
Bandwidth	6MHz < SWR < 1.5 / 12MHz < SWR < 2.5
Termination	UHF-Female is standard and M connector
Polarization	Vertical
Pattern	Omni-directional
Impedance	Normal 50Ω
Gain	5dBi (3dBd)
DC-grounded	Yes
Max power rating	120Watts

MODELS	Frequency
V20MFM-14ORB	139.0~157.0MHz
V20MFM-06ORB	139.0~157.0MHz
V20MFM-12M	150.0~162.7MHz
V20MFM-06M	150.0~162.7MHz
V20MFM-12AIS	155.9~168.3MHz
V20MFM-06AIS	155.9~168.3MHz
V20MFM-12H	161.9~177.4MHz
V20MFM-06H	161.9~177.4MHz

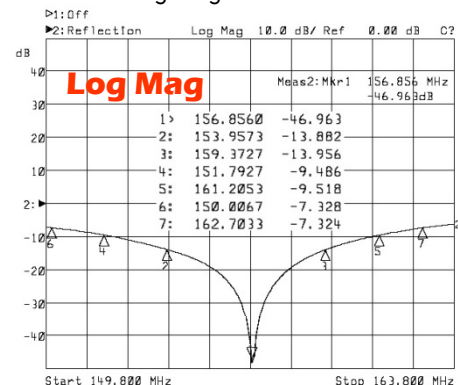
Mechanical specifications

Total height	1.2M (3.9ft)
Number of sections	1 Step
Weight	Section E1 1.0Kg Including, 2PCS use bolts and nuts U-bolt : 0.2Kg
Total weight	1.2kg
Temperature range	-54°C to 80°C (-65.2°F to 176 °F)
Wind loading	60m/s(216km/h)=134mph
Finish	Poly-urethane lacquer. White
Element material	Hi epoxy fiberglass

SWR CHART(150.0MHz ~ 162.7MHz<SWR<2.5)



Log Mag 10.0dB / Ref



WISUNG ANTENNA & ELECTRONICS CO., LTD.

20beonga-gil 5~7, Sujeonggongwonsang-ro, Dong-Gu, Busan, KOREA
Tel. +82-51-464-0707 / Fax. +82-51-464-0703

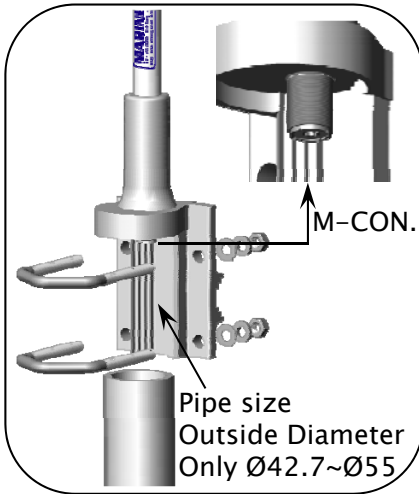
<http://www.wisung.co.kr>
E-mail: wisung@wisung.co.kr

APPLICATION MODEL

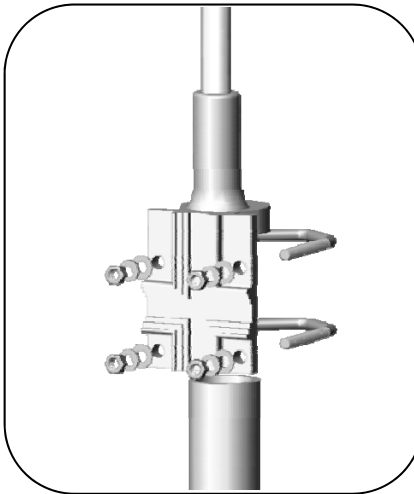
ANTENNA INSTALLATION PROPOSAL

Multi Purpose Mounting Waterproof Connector UHF M or N Female Antenna See Accessories (to be ordered separately)

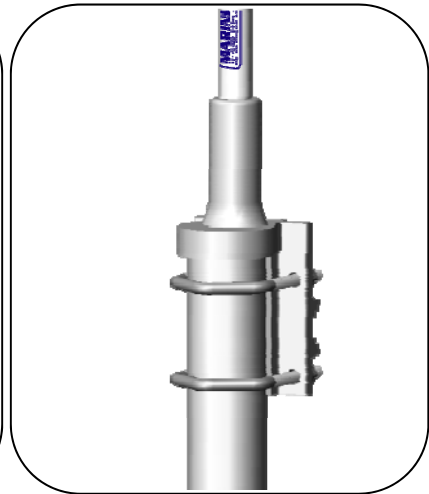
MULTI BRACKET FRONT



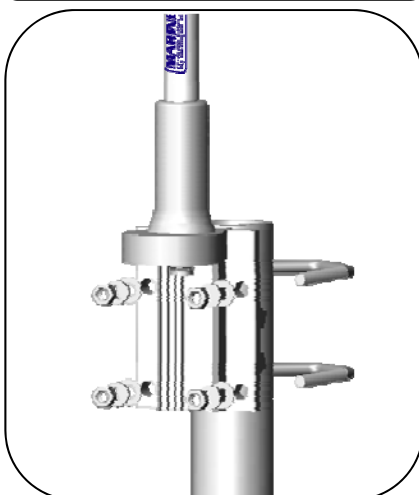
MULTI BRACKET BACK



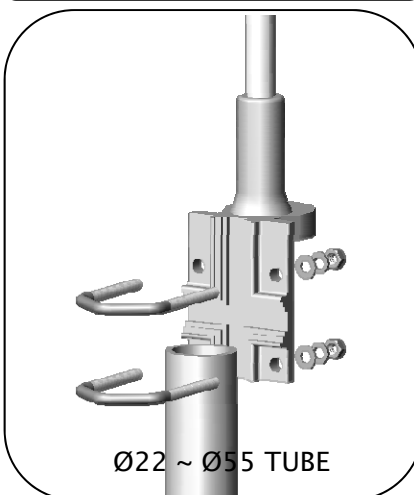
MULTI BRACKET FIRST COMPLETE



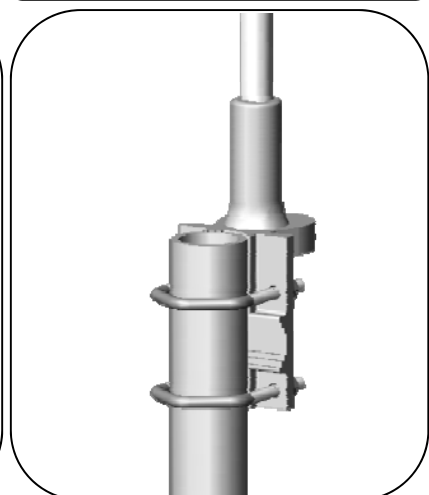
MULTI BRACKET FRONT



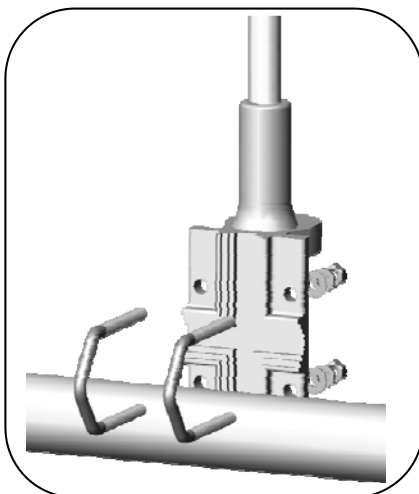
MULTI BRACKET BACK



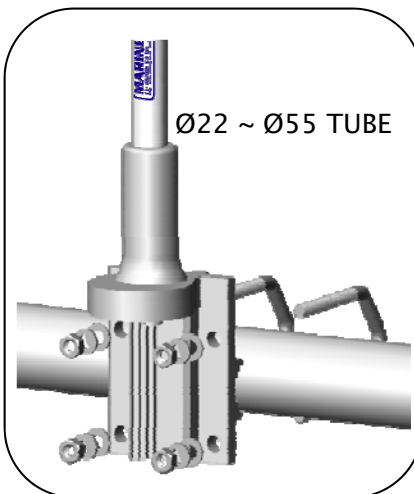
MULTI BRACKET SECOND COMPLETE



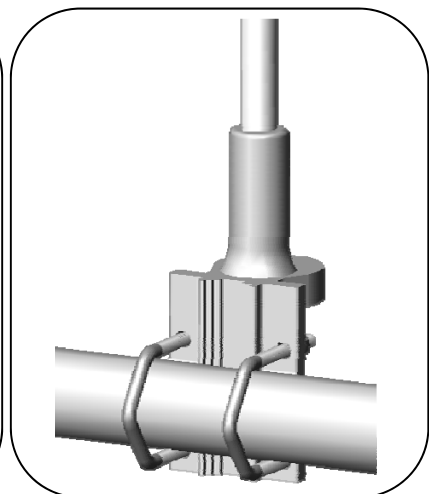
MULTI BRACKET FRONT



MULTI BRACKET BACK



MULTI BRACKET THIRD COMPLETE



WISUNG ANTENNA & ELECTRONICS CO., LTD.

20beonga-gil 5~7, Sujeonggongwonsang-ro, Dong-Gu, Busan, KOREA
Tel. +82-51-464-0707 / Fax. +82-51-464-0703

<http://www.wisung.co.kr>
E-mail: wisung@wisung.co.kr