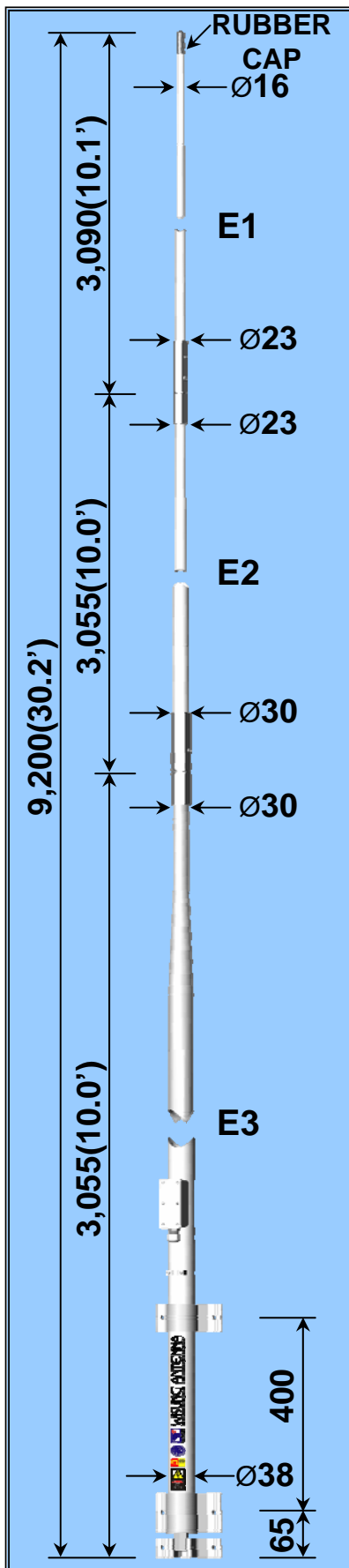


WISUNG T38M2K-90.3 (30.2') MARINE HF WHIP ANTENNA

E-mail:wisung@wisung.co.kr / http://www.wisung.co.kr



1. Description :

The T38M2K-90.3 is a self supporting characteristics fiberglass HF whips antennas with aluminum armature for mounting and connection kits for side feed.

High performance and high quality transmitting antennas for the mobile marine coastal in fishing boat with passenger plane and coast defense ship services, and duplex for simplex SSB.

Receiving antennas for HF bands and SSB.

The T38M2K-90.3 is our answer to the GMDSS.

This antenna can be part of any HF bands communication system but is specially designed to satisfy the demands of the GMDSS.

2. Electrical specifications :

- | | |
|--------------------------------|---------------------------|
| 1) Frequency range | : 100Khz ~ 30MHz |
| Transmit | : 0.5MHz ~ 30MHz |
| Receive | : 0.1MHz ~ 30MHz |
| 2) Permissible base HF voltage | : 18KV |
| 3) Max power rating | : 1.5KW PEP |
| 4) Polarization | : Vertical |
| 5) Radiation pattern | : Omni-directional |
| 6) RF connector | : Side feed point on kits |
| 7) Conductive length | : 8.6M (28.2ft) |
| 8) Impedance | : 50 ohms |
| 9) Insulation resistance | : 1,000MΩ |

3. Mechanical specifications :

- | | |
|--|-----------------------------------|
| 1) Height | : 9.2M < 30.2ft> |
| 2) Number of sections | : 3steps |
| 3) Weight | |
| ① Section E1 | 1.50Kg |
| ② Section E2 | 3.00Kg |
| ③ Section E3 | 6.80Kg |
| 4) Total weight | 11.9Kg |
| Including, aluminum mounting 1PCS bolt hole Ø10 upper Ø38 ANT. for Ø27 lever or 2PCS bolt hole Ø10.5 aluminum mounting 3PCS use bolt and nuts U-bolt : 1.0Kg | |
| 5) Temperature range | : -55°C to 70°C (-67°F to 158 °F) |
| 6) Wind loading | : 60m/s(216km/h)=134mph |
| 7) Finish | : Poly-urethane lacquer. White |
| 8) Ice build-up | : Not any effect |

4. Constitution.

- 1) Antenna : White, wisung characteristic fiberglass. with whip
- 2) Upper whip element stuff : Brass
- 3) Antenna installation proposal :
T38M2K-90.3 is easily mounted to pipe bottom section by means of 6pcs bolt hole Ø10.5 in the aluminum mounting upper Ø38 ANT. 1PCS for Ø27 lever mounting 3PCS bolt hole Ø10.5 in the aluminum mounting holes stainless steel pipe or steel pipe with U-bolt.
The U-bolt in stainless steel are included.
Sus pipe size 2.5t MAX Ø83 STANDARD Ø65 MIN Ø60



WISUNG ANTENNA & ELECTRONICS CO., LTD.

SANG-NOK 5GIL 7~9, SOO-JUNG DONG, DONG-GU, BUSAN, KOREA

TEL : +82-51-464-0707 / FAX : +82-51-464-0703

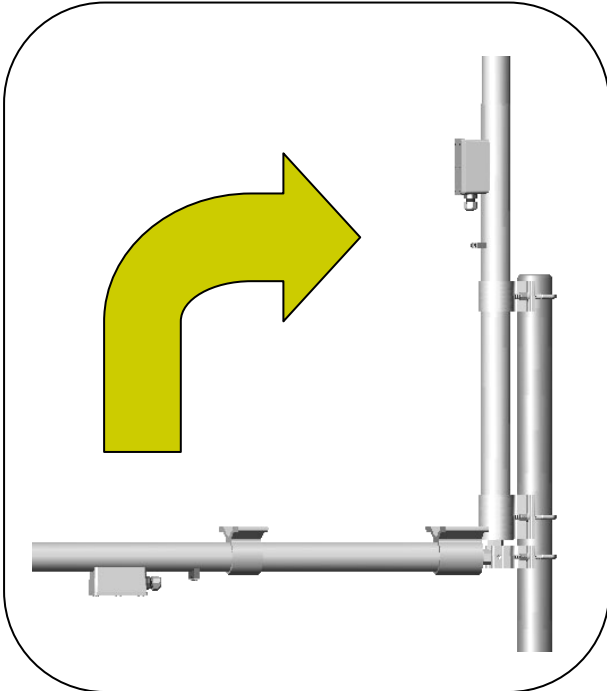
WISUNG T38M2K-90.3 (30.2') MARINE HF WHIP ANTENNA

APPLICATION MODEL

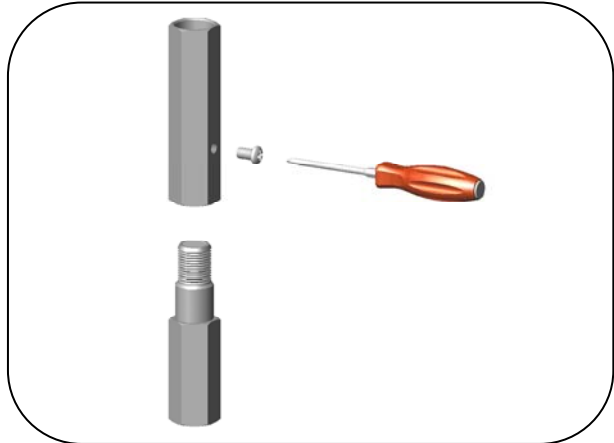
ANTENNA INSTALLATION PROPOSAL

T38M2K-90.3

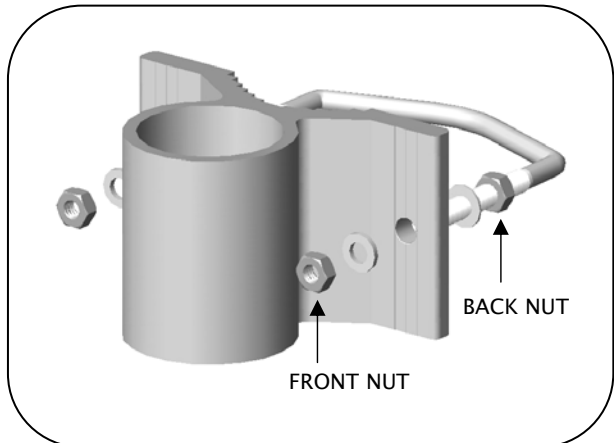
PIPE MOUNT, LAY ON THE SIDE



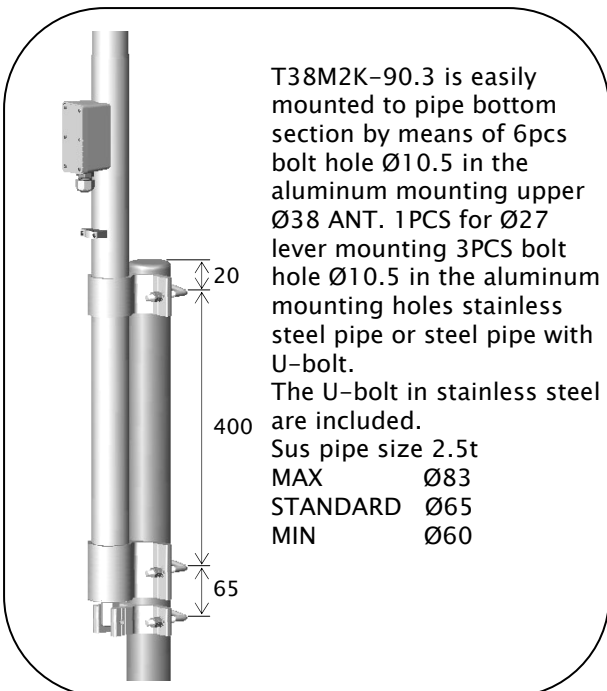
UPPER WHIP JOINT



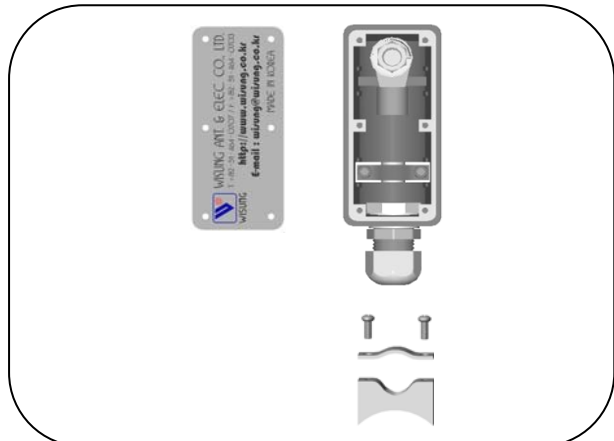
AL49Ø A38.5Ø MOUNTED ASS'Y



MOUNTED TO PIPE, END FEED



BASE RF CABLE or SIMILAR ANTENNA LITZ WIRE KITS



WISUNG ANTENNA & ELECTRONICS CO., LTD.
 SANG-NOK 5GIL 7~9, SOO-JUNG DONG, DONG-GU, BUSAN, KOREA
 TEL : +82-51-464-0707 / FAX : +82-51-464-0703