



WISUNG T35BT-68.4

The Marine MF/HF Transmitting Whip Antenna



Description

The T35BT-68.4 is a high quality characteristics without coil loaded fiberglass high frequency whip antenna with chromed brass armature for mast mounting and RF connection cable terminal feed.

High quality transmitting antenna for the mobile marine coastal in fishing boat the passenger plane upper mount with latch bar for easy one-hand removal and lay down of antenna. Mounting hole spacing for bottom and upper mounts high impact thermoplastic (ABS) $\varnothing 36$ center-to-center For 26.5 diameter base brass lever tubes. When passing under low bridges lay on the side and setup or when otherwise necessary services. Receiving antenna for SSB telephony bands.

Electrical specifications

Model	T35BT-68.4
Frequency range	0.1MHz~30MHz
Transmit	1.6MHz~30MHz (with ATU)
Receive	0.1MHz~30MHz
Permissible base HF voltage	18KV
Max power rating	1.0KW PEP
Polarization	Vertical
Radiation pattern	Omni-directional
RF connector	Chromed brass cable terminal mounting type
Electrical length	6.7M (22.1ft)

Impedance and capacitance at center frequency

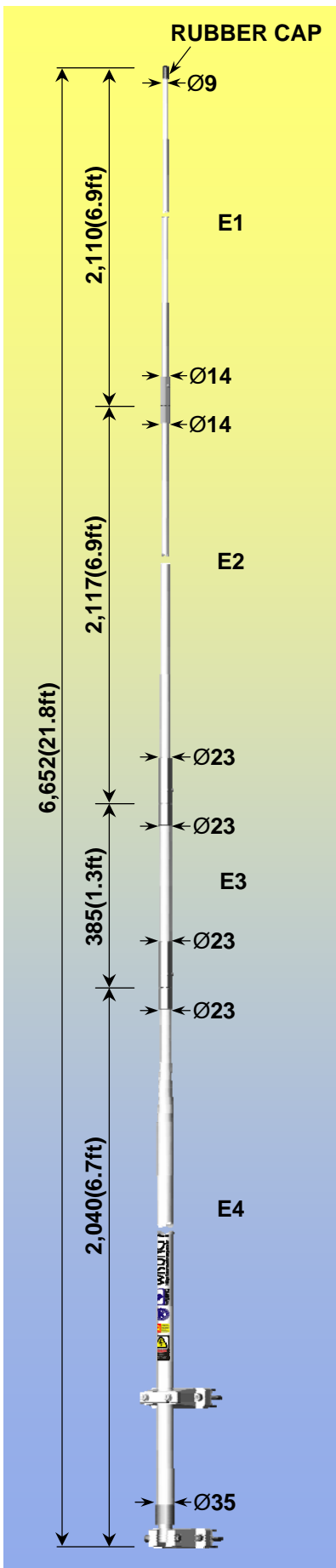
Freq (MHz)	Resistance Ω	Resistance Ω	Ind/Cap
Center freq. 16.909	26.94	-j120.9	77.88pF

Mechanical specifications

Total height	6.7M (21.8ft)
Number of sections	4 steps
Weight	① Section E1 0.35kg ② Section E2 0.70kg ③ Section E3 0.67kg ④ Section E4 2.00kg
Total weight (4.62Kg)	Including, mounting bolt hole $\varnothing 8$ in the high impact thermoplastic upper $\varnothing 36$ ANT. for IL lever bolt hole $\varnothing 10.5$ 2PCS mounting bracket U-bolt use bolts hole $\varnothing 10$ 2PCS stainless steel plate 1.5t bracket 1PCS or the high impact thermoplastic ABS $\varnothing 36$ U type : 1.0kg
Temperature range	-40°C to 70°C (-40°F to 158°F)
Wind loading	60m/s (216km/h) =134mph
Finish	Poly-urethane lacquer. White
Ice build-up	Not any effect

Construction

- 1) Antenna : White, characteristic wisung fiberglass, with whip.
- 2) Upper whip element stuff : Brass
- 3) Antenna installation proposal :
T35BT-68.4 is easily mounted to pipe bottom section by means of 6pcs bolt hole $\varnothing 10.5$ 2PCS in the aluminum mounting holes stainless steel pipe or steel pipe with U-bolt.
The U-bolt in stainless steel are included.
Stainless steel pipe size 2.0t
Max $\varnothing 76.3$ Standard $\varnothing 60.5$ Min $\varnothing 54$



WISUNG ANTENNA & ELECTRONICS CO., LTD.

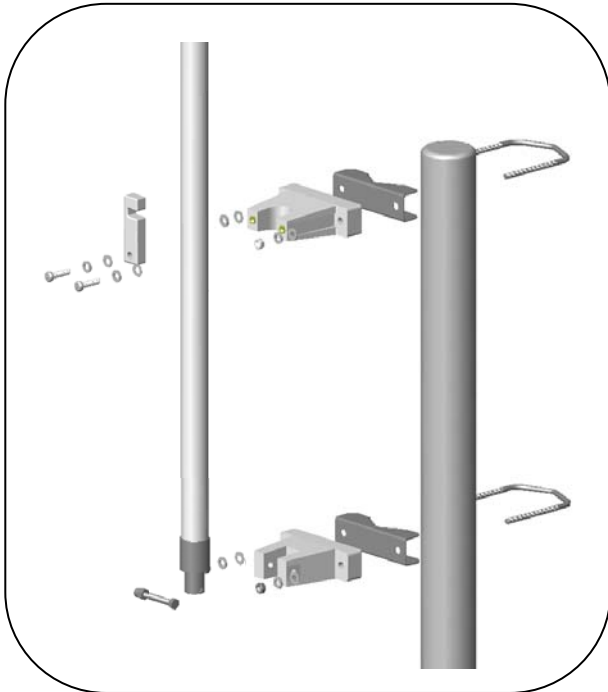
Sujeonggongwonsang-ro, 20beonga-gil 5~7, Dong-Gu, Busan, KOREA
Tel. +82-51-464-0707 / Fax. +82-51-464-0703

<http://www.wisung.co.kr>
E-mail: wisung@wisung.co.kr

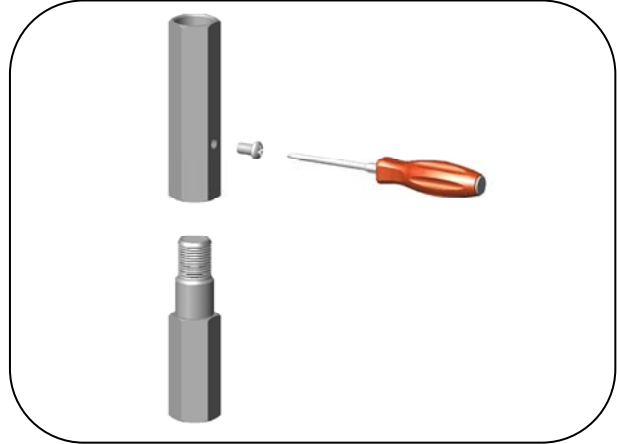
WISUNG T35BT-68.4 [6.7M(22.1ft)]

The Marine MF/HF Transmitting Whip Antenna

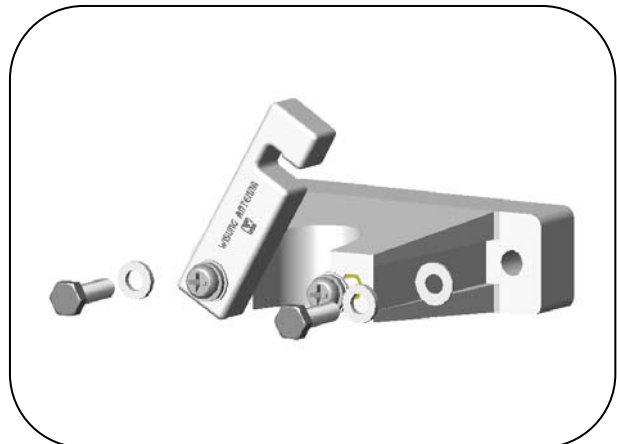
PIPE MOUNT, LAY ON THE SIDE



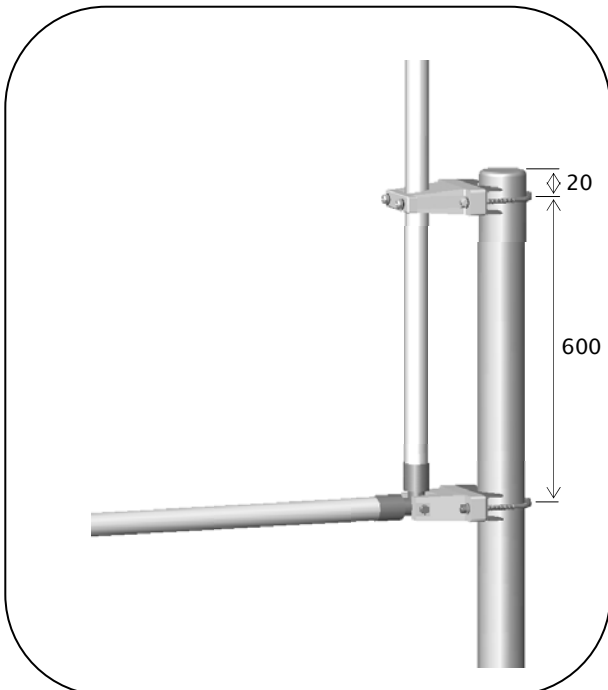
UPPER WHIP JOINT



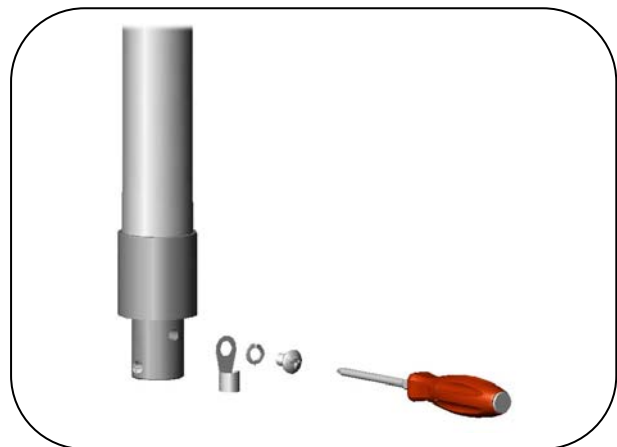
IMPACT THERMOPLASTIC Ø36 U TYPE



MOUNTED TO PIPE, END FEED



BASE MOUNTING RF CABLE or SIMILAR ANTENNA LITZ WIRE TERMINAL CHROMED BRASS CONNECTION



WISUNG ANTENNA & ELECTRONICS CO., LTD.

Sujeonggongwonsang-ro, 20beonga-gil 5~7, Dong-Gu, Busan, KOREA

Tel. +82-51-464-0707 / Fax. +82-51-464-0703

<http://www.wisung.co.kr>

E-mail: wisung@wisung.co.kr